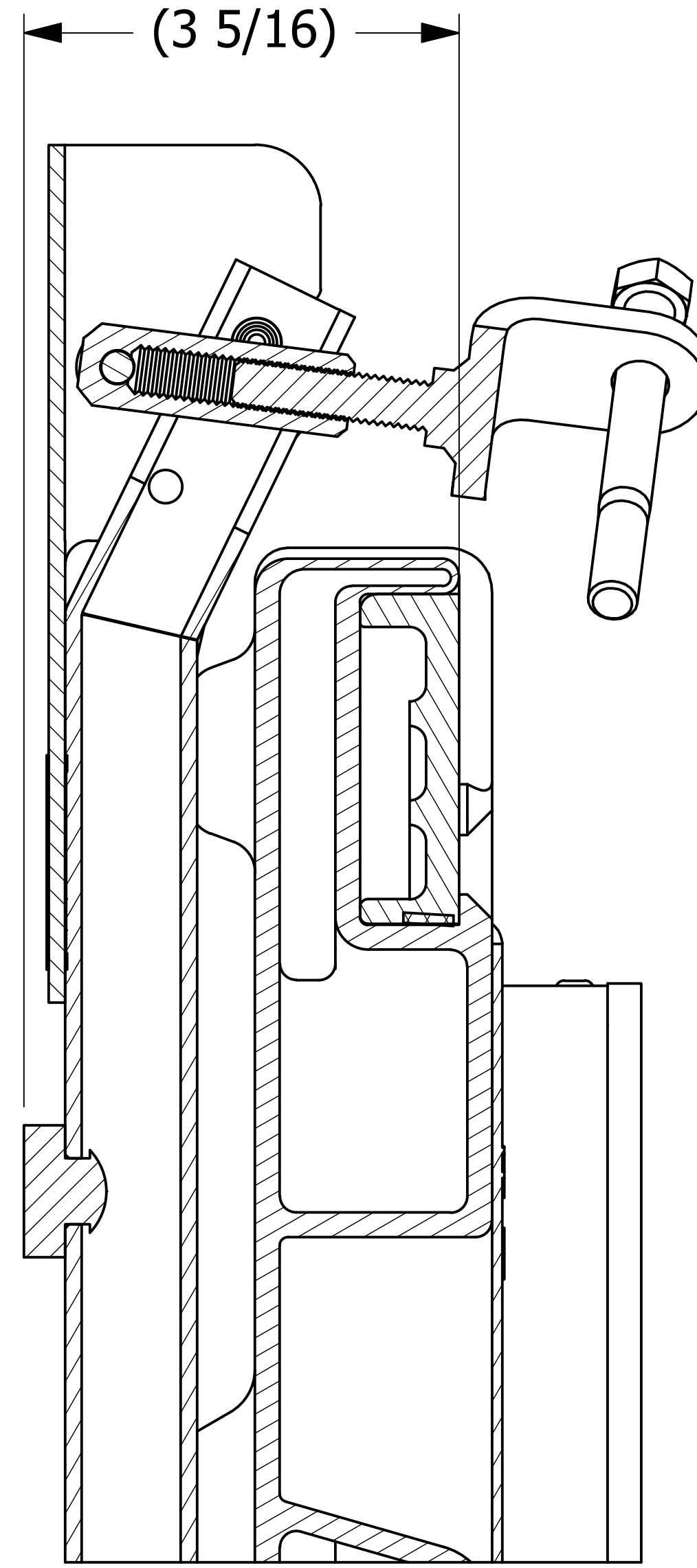
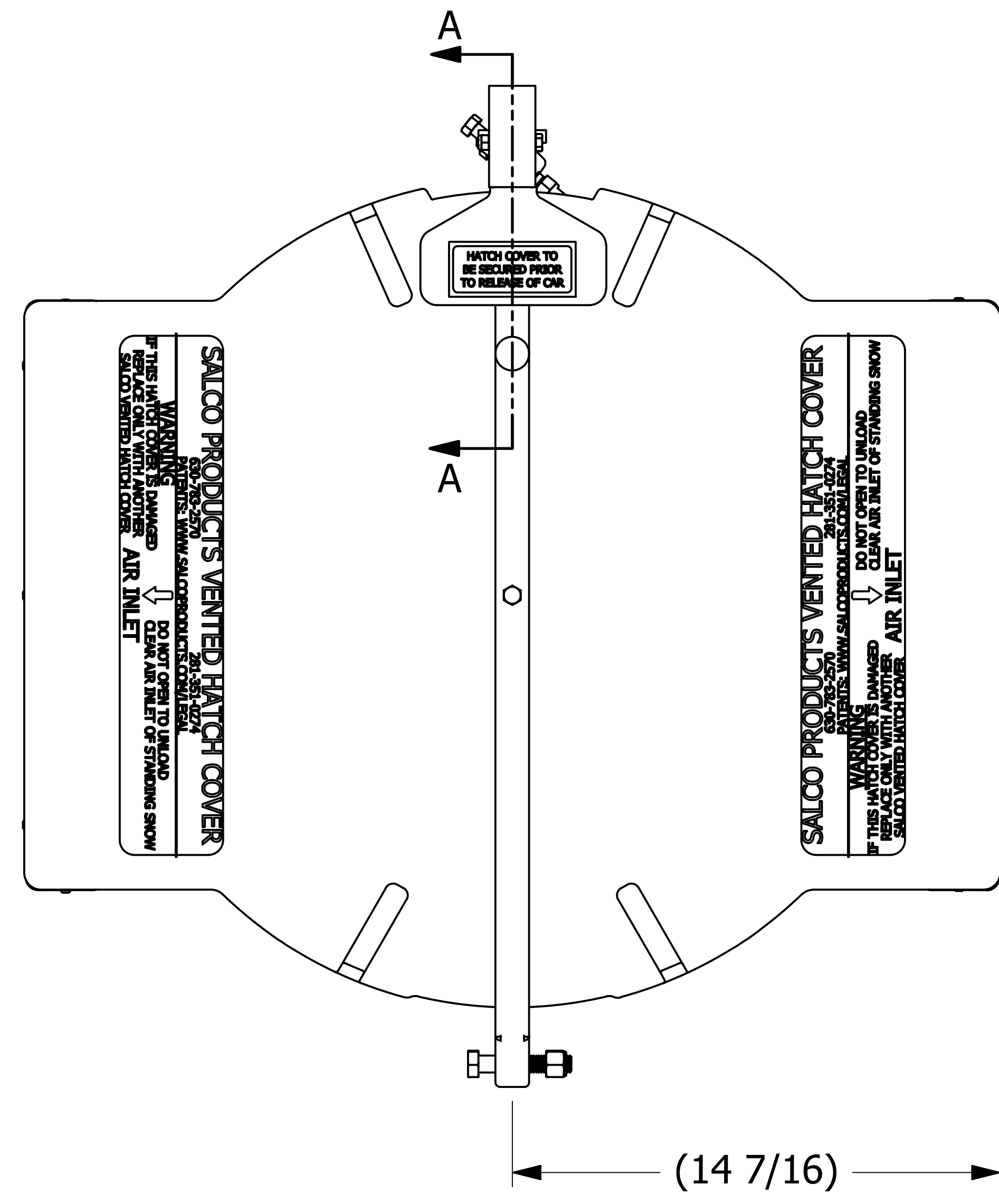
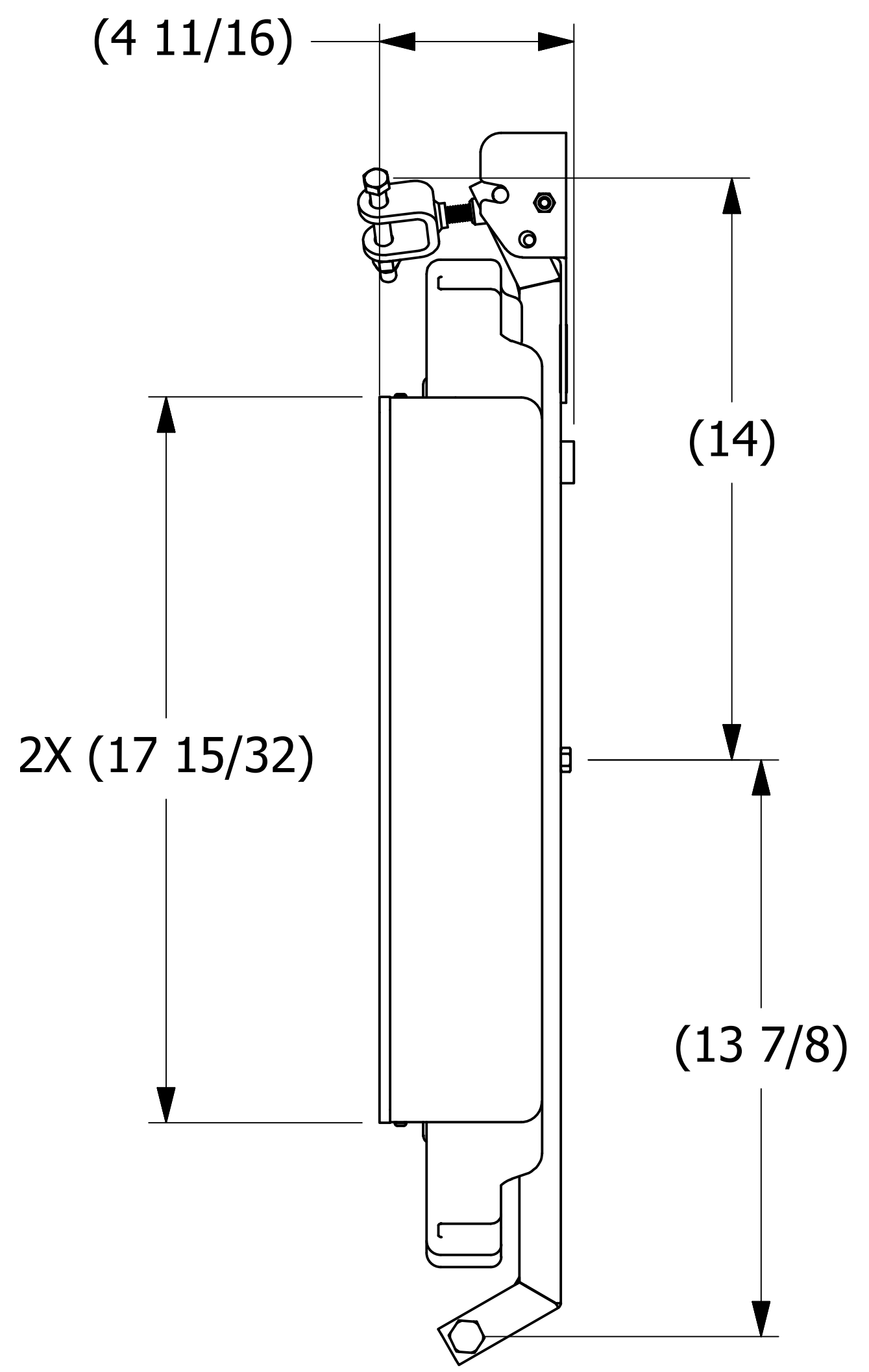
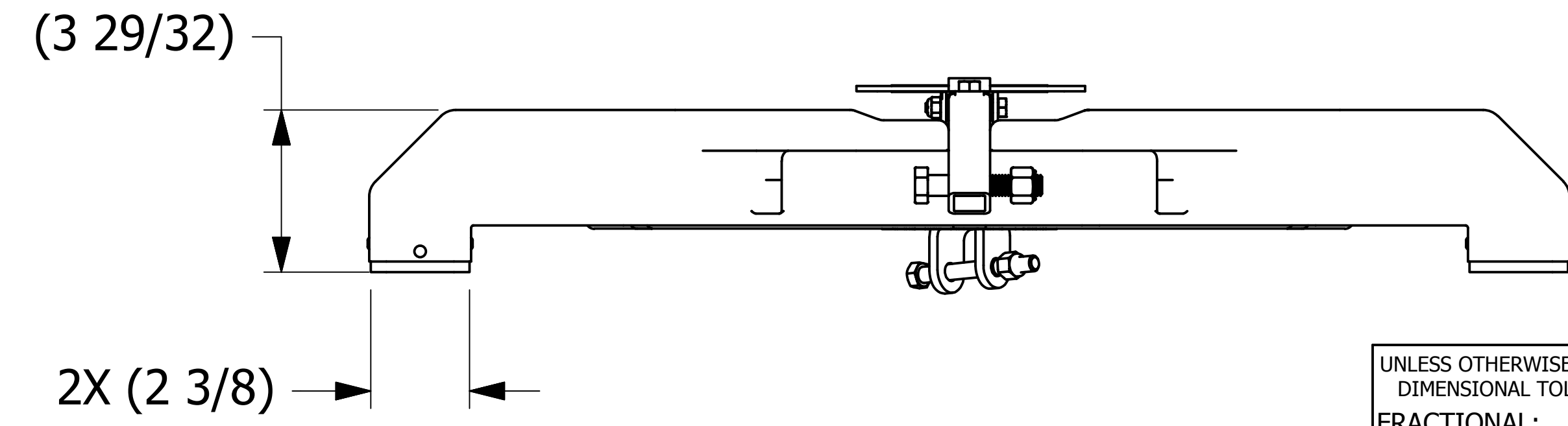


SALES DRAWING SALES DRAWING

SALES DRAWING SALES DRAWING



SECTION A-A  
SCALE 1:1



NOTE:  
APPROXIMATELY WEIGHT IS 18 LBS

UNLESS OTHERWISE SPECIFIED DIMENSIONAL TOLERANCES	DRAWN BY:	CHL
FRACTIONAL: ±1/16	CHECKED BY:	PJG
X.XX: ±.03	PROTOTYPE BY:	CHL
X.XXX: ±.015	PROTOTYPE DATE:	1/23/2004
ANGULAR: ±1°	APPROVED FOR PRODUCTION BY:	PJG
DEBURR ALL SHARP EDGES. ALL MACHINED SURFACES TO HAVE A 125 RMS FINISH UNLESS NOTED OTHERWISE.	PRODUCTION DATE:	7/28/2010
THIRD ANGLE PROJECTION		

D	WEB	2-28-14	REPLACED T20SCAW WITH T20SCAB
C	RJP	1-03-14	ROTATED ARM
B	RJP	1-03-14	ADDED SHEET 2 WITH DIMENSIONS
A	CHL	7-28-10	NEW PART ADDED TO SYSTEM
REV	BY	DATE	DESCRIPTION

**SALCO PRODUCTS, INC.**

PART NAME: <b>VENTED HATCH COVER 20"</b>			
MATERIAL: <b>HDPE/SS</b>		PROJECT #: <b>WAG0095</b>	
DRAWING #: <b>D18779</b>		SHEET #: <b>1 OF 1</b>	
PART #: <b>VHCS98TRB</b>		SCALE: <b>1:3</b>	

THIS PRINT, PROPERTY OF SALCO PRODUCTS INC. CONTAINS PROPRIETARY INFORMATION AND MUST NOT BE COPIED, REPRODUCED, OR USED DETRIMENTALLY TO OUR INTEREST.